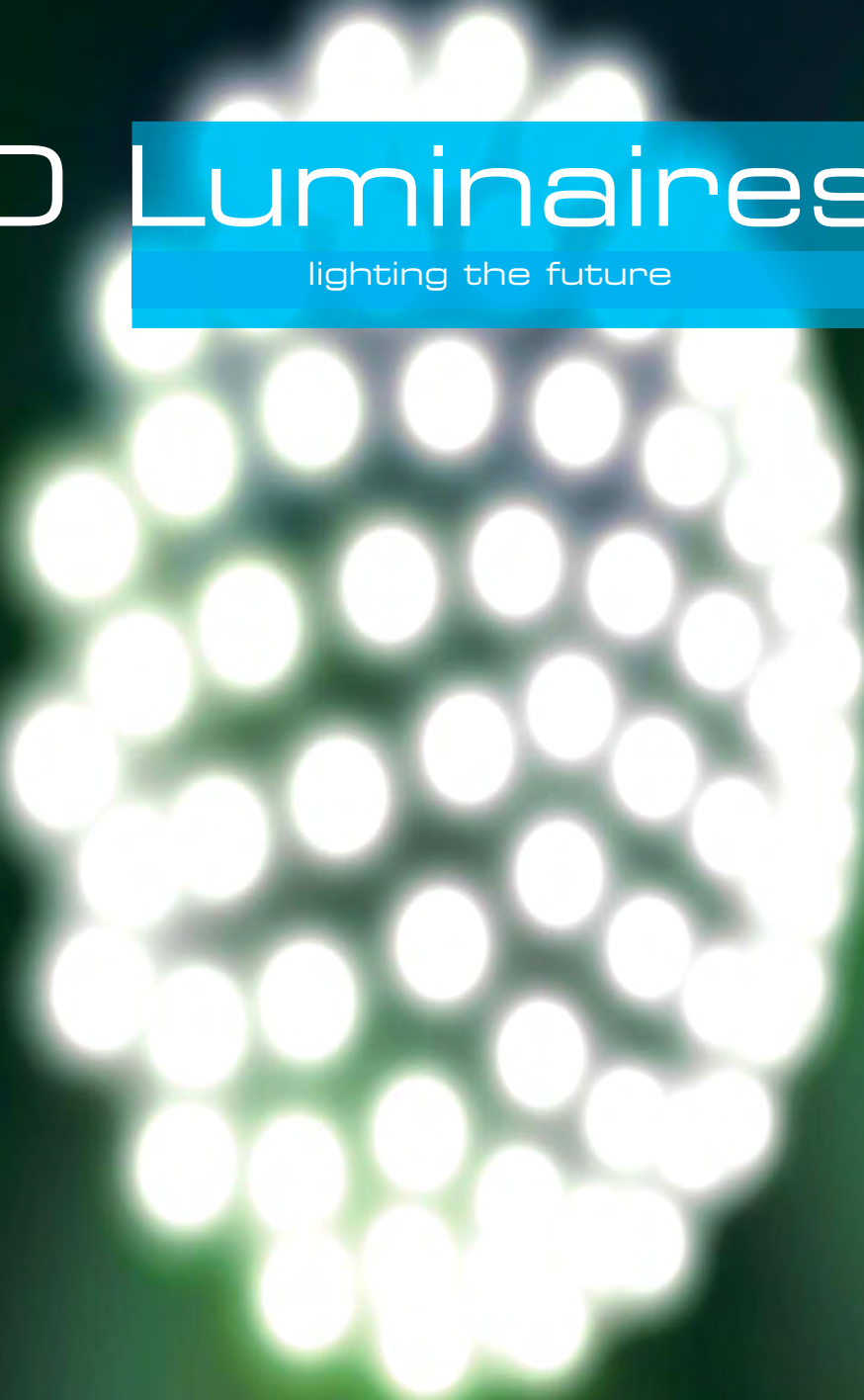


# LED Luminaires

lighting the future



LIGHTING



## Benefits of ASD LED products

### New LED Options


The high powered LED's provide excellent illumination. With long life, reduced maintenance requirements and energy efficient operation LED technology provides the latest solutions to lighting scheme and environmental demands.

Incorporating the latest LED technology into our products allows us to provide value added solutions to meet the demands for performance integration within our new design applications.

- High Powered Long Lasting LED's Provide Excellent Illumination.
- Unlimited Switching.
- Instant Light.
- Fit and Forget for Life of Product.
- Energy Efficient.
- No UV.

### What is an LED

LED is the common abbreviation for a Light-Emitting Diode. Each individual LED consists of a semiconductor diode that emits light when a voltage is applied to it.

LED = 50,000  Hours

50,000 hours 3,000 hours per year  
(average usage) 16.5 years life.



### Long Life

LED's long life means that lamp changing and lamp failures are a thing of the past. LED lighting life is up to 50,000 hours, typically in the UK this equates to over 16 years.



### Energy Efficient Operation

ASD's advanced LED luminaire design provides continuous energy efficient lighting.



### Reliability

LED's offer superb reliability over other lamp options.



### Maintenance Free Operation

Routine maintenance is not required - reducing costs.



### Environmental

Not only do LED's offer energy efficient running, lamp disposal directives are reduced due to long life and the elimination of the use of resources during maintenance making LED's the perfect choice.



### Emergency

Many options also offer emergency variants.



### Carbon Footprint

LEDs are a very simple and cost-effective way to reduce your carbon footprint and impact on the environment, as energy consumption is reduced considerably compared with traditional light sources.

# Customised energy costs, maintenance cost and carbon emissions savings report

Customer: ASD Lightng

Installation: Display Areas

Running Hours: 8 per day

Cost per KW/H: £0.10

## Running Cost Savings

Fitting Type	No. Fittings	Circuit Watts	KW/h pa	Cost per year
50w Gu10	25	50	3650	£365.00
MR3E LED	25	7	511	£51.10
<b>SAVING (per year)</b>				<b>£313.90</b> 86.00%
<b>SAVING (over total life of new lamp)</b>				<b>£5,375.00</b>

Based on DEFRA's kg CO2 per KW/h conversion factor of	<b>0.537</b>
Based on running cost per KW/h of	<b>£0.10</b>
Based on hours per day the fittings are turned on	<b>8</b>
Based on existing lamp type being	<b>50w Gu10</b>
New lamp type being	<b>MR3E LED</b>
Maintenance costs are calculated based on each replacement lamp costing	<b>£1.00</b>
Maintenance costs are calculated based on replacement lamp labour costing	<b>£10.00</b>

## Maintenance Cost Savings

	Hours	Replacement Every
<b>New lamp life</b>	50,000	17 Year(s)
<b>Old lamp life</b>	2,000	1 Year(s)

	Cost per change	No. of changes required in equivalent life time	Maintenance Cost per fitting life	Maintenance cost for all fittings
<b>Lamp</b>	£1.00	25	£25.00	£625.00
<b>Labour</b>	£10.00	25	£250.00	£6,250.00

**SAVING (per year)** £401.50  
**SAVING (over total life of new lamp)** £6,875.00

Total Cost Savings offered from running and maintenance costs (annually) **£715.40**  
 Total Cost Savings offered from running and maintenance costs (over life of new fitting) **£12,250.00**

## CO2 Emission Savings

	No. Fittings	Kg CO2 per KW/h	KW/h pa	Total annual CO2 (tonnes)
<b>50w Gu10</b>	25	0.537	3650	1.96
<b>MR3E LED</b>	25	0.537	511	0.27

**SAVINGS (per year)** **1.69**  
86.00%  
**SAVING (over total life of new lamp)** **1.15**

Number of LED's	Low Energy Lamp Equivalent	Number of Emergency LED's
8	21W 2D	2
12	28W 2D	2
18	38W 2D	3
24	55W 2D	4

LED Array/2d	Circuit Wattage	Saving
12 LED	25	
28w 2D	29	13.80%
18 LED	35	
38w 2d	40	12.50%
18 LED	47	
55w 2d	60	21.70%

# harmony

IP44 version and  
BESA mount version  
available

The Harmony decor indoor low energy range of decorative commercial/residential lighting has been designed, developed and manufactured in the U.K to provide practical solutions to a wide variety of interior lighting applications.

Provided with a choice of opal or prismatic shatterproof polycarbonate diffusers. The fittings are manufactured with spun aluminium bases and are available in 355mm, 432mm and 532mm diameter.

A variety of colour options are manufactured as standard: White, Brass, Chrome and Satin Aluminium. Graphite is available as a non standard colour option with other special base colours available upon request, allowing the Harmony range to meet an array of interior design criteria.

- Base constructed from spun aluminium with tough UV stabilised polycarbonate diffusers.
- Integral 3 hour maintained emergency option.
- Wall or ceiling mounting.
- Choice of colour and diffuser options.
- IP20 - IP44 versions available.
- Recessing Kit available.
- Integral microwave sensor option (internal use only).
- Emergency version.

Description	LED24	LED18	LED12
White Opal	H5/WLLED24	H4/WLLED18	H3/WLLED12
White Prismatic	H5/WPLED24	H4/WPLED18	H3/WPLED12
Brass Opal	H5/ZLLED24	H4/ZLLED18	H3/ZLLED12
Brass Prismatic	H5/ZPLED24	H4/ZPLED18	H3/ZPLED12
Chrome Opal	H5/HLLED24	H4/HLLED18	H3/HLLED12
Chrome Prismatic	H5/HPLED24	H4/HPLED18	H3/HPLED12
Satin Aluminium Opal	H5/FLLED24	H4/FLLED18	H3/FLLED12
Satin Aluminium Prismatic	H5/FPLED24	H4/FPLED18	H3/FPLED12
Graphite Opal	H5/GLLED24	H4/GLLED18	H3/GLLED12
Graphite Prismatic	H5/GPLED24	H4/GPLED18	H3/GPLED12

Add suffix 'M' for emergency version

## Specifications

LED's OSRAM Golden Dragon Plus

- Life 50,000 hours to L70/B50 (5 x the life of fluorescent lighting).
- Maintenance free operation.
- Fit and forget for life of product 16.5yrs @ 3000hrs per year.
- Energy efficient.
- Instant light.
- Unlimited switching.
- No UV.
- 100-265V~50/60Hz.  
LED12, LED18, LED24  
Cool White 6500k typ. CRI 70  
White 4100k typ. CRI 75  
Warm White 3100k typ. CRI 80

Note:- performance is lower with neutral-white and warm-white.

- LED Options.  
355mm - LED12 (mains only)  
432mm - LED18 330 lm OP EM mode.  
(mains & emergency)  
532mm - LED24 440 lm OP EM mode.  
(mains & emergency)
- Emergency option.
- Central battery options.
- Night light options.



# harmony halo

## Specifications

LED's OSRAM Golden Dragon Plus

- Life 50,000 hours to L70/B50 (5 x the life of fluorescent lighting).
- Maintenance free operation.
- Fit and forget for life of product 16.5yrs @ 3000hrs per year.
- Energy efficient.
- Instant light.
- Unlimited switching.
- No UV.
- 100-265V~50/60Hz.

LED12, LED18, LED24

Cool White 6500k typ. CRI 70

White 4100k typ. CRI 75

Warm White 3100k typ. CRI 80

Note:- performance is lower with neutral-white and warm-white.

- LED Options.  
450mm - LED18 330 lm OP EM mode.  
(mains & emergency)  
564mm - LED24 440 lm OP EM mode.  
(mains & emergency)
- Emergency option.
- Central battery options.
- Night light options.



With a combination of direct lighting and back lighting the Harmony Halo is the ultimate in contemporary lighting design.

Available in 450mm and 564mm diameter, the range has a multitude of operating modes including Standard Switch Start, Power Factor Correction (PFC), High Frequency (HF) and HF 3hr Emergency (EM3). The Harmony Halo indoor low energy range is available with 16w, 28w, 38w or 55w 2D lamp options.

These fittings are manufactured with spun aluminium bases, available as standard in White, Brass, Chrome and Satin Aluminium. Graphite is available as a non standard colour option.

- 2 sizes.
- Halo back light effect with coloured back light effects available.
- Surface mounted.
- Spun aluminium base.
- Opal or prismatic polycarbonate diffuser.
- Integral emergency option on 38w units (564mm) & 28w units (450mm).
- Drop pendant kit available.
- Corridor function.

Description	LED24	LED18
White Opal	HA5/WLLED24	HA4/WLLED18
White Prismatic	HA5/WPLED24	HA4/WPLED18
Brass Opal	HA5/ZLLED24	HA4/ZLLED18
Brass Prismatic	HA5/ZPLED24	HA4/ZPLED18
Chrome Opal	HA5/HLLED24	HA4/HLLED18
Chrome Prismatic	HA5/HPLED24	HA4/HPLED18
Satin Aluminium Opal	HA5/FLLED24	HA4/FLLED18
Satin Aluminium Prismatic	HA5/FPLED24	HA4/FPLED18
Graphite Opal	HA5/GLLED24	HA4/GLLED18
Graphite Prismatic	HA5/GPLED24	HA4/GPLED18

Add suffix 'M' for emergency version

# profile anti-ligature

For use with anti-pick  
mastic



The new Profile Anti Ligature is a genuine Anti-Ligature (where riot conditions do not exist) luminaire and is ideally suited to installations where consideration of the actions of individuals needs priority such as hospitals, prisons, secure and care units.

The flush mounted units are provided in 2 sizes with a choice of Opal or Prismatic diffuser. Manufactured with spun aluminium bases and trim, finished as standard in White (other colour options are available).

- **Vandal resistant.**
- **Anti ligature.**
- **Tamper proof fixings (Chrome or White).**
- **Spun Aluminium base and trim.**
- **Ideal for secure units / environments.**

## Maintenance legacy for life'.

*The true test for compliance for Anti Ligature Luminaires is as follows:*

All fittings should be tested with a nylon line and if this snags behind the fitting it is deemed "not to be Anti Ligature".

All Gaps should therefore be filled with anti-pick mastic to stop this from happening.

The other issue concerns fixing luminaires to undulating walls or ceilings. In this situation the installer would again be required to use anti-pick mastic to achieve Anti Ligature compliance.

Other luminaires available on the market today suffer from this problem. When the luminaire requires re-lamping all mastic has to be cut away to enable the lamps to be changed.

The innovative design introduced in the creation of Profile Anti Ligature resolves this problem. Making the Profile Anti Ligature the answer to the demands made in today's secure environments.

### Specifications

LED's OSRAM Golden Dragon Plus

- Life 50,000 hours to L70/B50 (5 x the life of fluorescent lighting).
- Maintenance free operation.
- Fit and forget for life of product 16.5yrs @ 3000hrs per year.
- Energy efficient.
- Instant light.
- Unlimited switching.
- No UV.
- 100-265V~50/60Hz.

LED12, LED18, LED24

Cool White 6500k typ. CRI 70

White 4100k typ. CRI 75

Warm White 3100k typ. CRI 80

Note:- performance is lower with neutral-white and warm-white.

- LED Options.
  - 434mm - LED12 (mains only)
  - 434mm - LED18 330 lm OP EM mode (mains & emergency)
  - 524mm - LED24 440 lm OP EM mode (mains & emergency)
- Emergency option.
- Night light option.



Description	LED24	LED18	LED12
White Opal	HP5AL/WLLED24	HP5AL/WLLED18	HP5AL/WLLED12
White Prismatic	HP5AL/WPLED24	HP5AL/WPLED18	HP5AL/WPLED12
Chrome Opal	HP5AL/HLLED24	HP5AL/HLLED18	HP5AL/HLLED12
Chrome Prismatic	HP5AL/HPLED24	HP5AL/HPLED18	HP5AL/HPLED12
Satin Aluminium Opal	HP5AL/FLLED24	HP5AL/FLLED18	HP5AL/FLLED12
Satin Aluminium Prismatic	HP5AL/FPLED24	HP5AL/FPLED18	HP5AL/FPLED12

# cube™



## Specifications

LED's OSRAM Golden Dragon Plus

- Ultra white 5700-6500k CRI 70
- Maintenance free operation fit and forget for life of the product.
- 50k hrs = 16.5yrs life @ 3000 hrs L70/B50 per year.
- Energy efficient.
- Instant light.
- Unlimited switching.
- No UV.
- Achieving 4.08M spacing between fittings with minimum 10 Lux.
- 100-265V 0/50/60Hz.
- 3 Hours EM version.
- 220lm OP EM mode



The new LiteCUBE™ is ideally suited to a host of interior applications including, corridors, receptions, offices, hospitals and even hotel suite bed heads.

The front assembly has an invisible fit front which is secured by a latch and striker mechanism.

For applications where possible finger marking could be apparent, we use a 'finger mark proof' material for the front panel. This is available in a variety of colours and textures on request.

- Corridors, Stairwells
- Schools and Colleges.
- Bedheads.
- Hotels, Pubs, Restaurants.
- Offices & Hospitals.
- Reception/Waiting Areas

## Lite Cube Round Diffuser

Recessed	8 LED	12 LED
White Opal	CU3/WRLED8W	CU3/WRLED12W
Brass Opal	CU3/ZRLED8W	CU3/ZRLED12W
Chrome Opal	CU3/HRLED8W	CU3/HRLED12W
Satin Aluminium Opal	CU3/FRLED8W	CU3/FRLED12W

Surface Mounted	8 LED	12 LED
White Opal	CUS3/WRLED8W	CUS3/WRLED12W
Brass Opal	CUS3/ZRLED8W	CUS3/ZRLED12W
Chrome Opal	CUS3/HRLED8W	CUS3/HRLED12W
Satin Aluminium Opal	CUS3/FRLED8W	CUS3/FRLED12W

## Lite Cube Square Diffuser

Recessed	8 LED	12 LED
White Opal	U3/WLLED8W	CU3/WLLED12W
Brass Opal	CU3/ZLLED8W	CU3/ZLLED12W
Chrome Opal	U3/HLLED8W	CU3/HLLED12W
Satin Aluminium Opal	CU3/FLLED8W	CU3/FLLED12W

Surface Mounted	8 LED	12 LED
White Opal	U3/WLLED8W	CU3/WLLED12W
Brass Opal	CU3/ZLLED8W	CU3/ZLLED12W
Chrome Opal	U3/HLLED8W	CU3/HLLED12W
Satin Aluminium Opal	CU3/FLLED8W	CU3/FLLED12W

# saferoute™



The new Saferoute™ has been specifically designed to provide an emergency lighting solution, utilising the latest in LED technology.

The use of high efficiency LED's offers reduced maintenance with lamp life of up to 50,000 hours. The 12 LED strip provides even legend illumination and energy efficient operation. Resulting in cost effective solutions to both maintained and non maintained emergency requirements.

- Surface or recessed mount.
- Rear cable entry.
- 4 way terminal block.
- 220-240v 50/60Hz.
- Mains power consumption maintained mode 4W 30mA.
- Batteries 3 cell Ni-Mh 2.0Ah.
- Recharge period 12 hours.
- Main body retained into ceiling by two suspension springs which allow a rigid fix without need for additional tools.
- Whole unit installed into ceiling as one piece - no need for separate trims etc.

## Running Man Down

Description	Code
Surface 300 Maintained	SRS/WLED12DM
Recessed Maintained	SRR/WLED12DM

## Running Man Right

Description	Code
Surface 300 Maintained	SRS/WLED12LRM
Recessed Maintained	SRR/WLED12LRM

## Specifications

- 12 LED strip 1W.
- Ultra white 5700-6500k CRI 70.
- Life 50,000 hours to L70/B50 (5 x the life of fluorescent lighting).
- Maintenance free operation fit and forget for life of the product.
- 50k hrs = 16.5yrs life @ 3000 hrs per year.
- Energy efficient.
- Instant light.
- Unlimited switching.
- No UV.
- 220-240V~50/60Hz.
- Electronic multi level charging system.
- 3-hour, 2-hour or 1 hour operation selected by jumper plug.
- Basic, self test and dali options.
- Central battery options.



# slim 8



## Specifications

- 12 LED strip 1W.
- 3 hour maintained.
- Available in basic EM, self test and DALI.
- Surface mountable.
- Available with up, down, left and right legend.
- 100 lm output in mains and emergency mode.
- 50,000 hrs LED life L70/B50 (maintained operation).
- Product life 16.5yrs @ 3000hrs per year.
- 220-240v 50/60Hz.
- Energy efficient.
- Mains power consumption maintained mode 4W 30mA.
- Batteries 3 cell Ni-Mh 2.0Ah.
- Recharge period 12 hours.
- Electronic multi level charging system
- 3-hour, 2-hour or 1 hour operation selected by jumper plug.
- Central battery options.



This attractive and tough slim line maintained emergency luminaire is manufactured in vandal resistant polycarbonate.

To ease installation the fittings have a hinged gear tray and 6 x 20mm drill outs.

The IP55 rated units are provided with white base, prismatic diffuser.

- **Screw down diffuser.**
- **IP55.**
- **Vandal resistant polycarbonate base and diffuser.**
- **Hinged gear tray.**
- **6 x 20mm knock outs for additional functions.**

Description	LED12
White Prismatic	SL/STWPLED12M

# MR3e

## Protector Fire Rated Downlight



The new MR3-e has the right balance of controlled output, thermal management, and optical design resulting in a significant advantage in commercial lighting applications.

The MR3-e is available as a complete unit supplied integral within a brushed aluminium casing.

- Up to 90 minute fire rated fitting.
- Suitable for interior use only.
- Luminaire suitable for all timber joist ceiling.
- Part "B, C & E" compliant (acoustics).
- Suitable for mounting on normally flammable surfaces.
- Dimmer for 4 to 12 fittings.

### Specifications

LED's OSRAM Golden Dragon Plus

- Ultra white 5700-6500k CRI 70.
- Life 50,000 hours to L70/B50 (5 x the life of fluorescent lighting).
- Maintenance free operation fit and forget for life of the product.
- 50k hrs = 16.5yrs life @ 3000 hrs per year.
- Energy efficient.
- Instant light.
- Unlimited switching.
- No UV.
- 100-265V~50/60Hz.
- Available in 10°, 25° and 40° options. (standard angle = 40°).
- IP44 option available.

### LED Ratings

3 LED 5w 350MA  
3 LED 7w 550MA  
1-10V dimmable

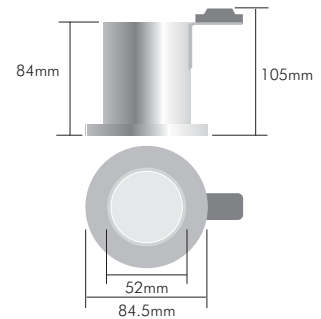
### Emergency Options

1 LED Lit in Emergency Mode.

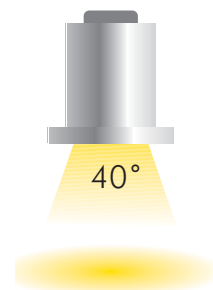




**Dimensions**



**Beam Angle**



**Cool White Light**

Description	LED3 5w	LED3 7w
Chrome	FR90/LDFHLED35	FR90/LDFHLED37
Satin Aluminum	FR90/LDFFLED35	FR90/LDFFLED37
White	FR90/LDFWLED35	FR90/LDFWLED37

Description	LED3 5w Emergency 1 LED	LED3 7w Emergency 1 LED
Chrome	FR90/LDFHLED35M1	FR90/LDFHLED37M1
Satin Aluminum	FR90/LDFFLED35M1	FR90/LDFFLED37M1
White	FR90/LDFWLED35M1	FR90/LDFWLED37M1

Description	4 -12
Dimmer Unit	FR90/DIM4-12

**Warm White Light**

Description	LED3 5w	LED3 7w
Chrome	FR90/LDFHLED35-1	FR90/LDFHLED37-1
Satin Aluminum	FR90/LDFFLED35-1	FR90/LDFFLED37-1
White	FR90/LDFWLED35-1	FR90/LDFWLED37-1

Description	LED3 5w Emergency 1 LED	LED3 7w Emergency 1 LED
Chrome	FR90/LDFHLED35M1-1	FR90/LDFHLED37M1-1
Satin Aluminum	FR90/LDFFLED35M1-1	FR90/LDFFLED37M1-1
White	FR90/LDFWLED35M1-1	FR90/LDFWLED37M1-1

Description	4 -12
Dimmer Unit	FR90/DIM4-12-1

# horizon



A comprehensive range of attractive, vandal resistant luminaires suitable for internal and external use. Designed for use where the aesthetics of the lighting scheme and a robust construction are of paramount consideration.

Available in 353mm metal based which has multiple side entries to suite a variety of installations. The wall or ceiling mounted fittings offer vandal resistant polycarbonate opal or fresnel diffuser and fascia.

- High powered long lasting LED's provide Excellent illumination.
- Unlimited switching.
- Instant light.
- Fit and forget for life of product.
- Energy efficient.
- No UV.
- Screw down diffuser.
- IP55.
- Emergency version.
- Photocell version.
- 8, 12, 18, 24 LED versions.
- Die cast aluminium base.
- Full range of fixing trims and finishes.
- 220 lm output EM mode.

## Specifications

LED's OSRAM Golden Dragon Plus

- Life 50,000 hours to L70/B50 (5 x the life of fluorescent lighting).
- Maintenance free operation.
- Fit and forget for life of product 16.5yrs @ 3000hrs per year.
- Energy efficient.
- Instant light.
- Unlimited switching.
- No UV.
- 100-265V~50/60Hz.  
LED 8 equivalent performance 21W, 2D, LED12 equivalent Performance 28W 2D, LED18 equivalent performance, 38W 2D LED24 equivalent performance 55W 2D  
Ultra White 5700-6500k CRI 70  
White 5000-5700k CRI 75  
Warm White 5700-4200k CRI 80

Note:- performance is lower with white and warm-white.

- Emergency option 8-12 only.
- Central battery options.
- Night light options.

Description	LED24	LED18	LED12	LED8
Black Opal	HR3M/BLPLED24	HR3M/BLPLED18	HR3M/BLPLED12	HR3M/BLPLED8
Black Fresnel	HR3M/BFPLED24	HR3M/BFPLED18	HR3M/BFPLED12	HR3M/BFPLED8
White Opal	HR3M/WLPLED24	HR3M/WLPLED18	HR3M/WLPLED12	HR3M/WLPLED8
White Fresnel	HR3M/WFPLED24	HR3M/WFPLED18	HR3M/WFPLED12	HR3M/WFPLED8

Add suffix 'C' for photocell version. Add suffix 'M' for emergency version.



# lantern



## Specifications

LED's OSRAM Golden Dragon Plus

- Ultra white 5700-6500k CRI 70
- Maintenance free operation fit and forget for life of the product.
- 50k hrs = 16.5yrs life @ 3000 hrs L70/B50 per year.
- Energy efficient.
- Instant light.
- Unlimited switching.
- No UV.
- Achieving 4.08M spacing between fittings with minimum 10 Lux.
- 100-265V 0/50/60Hz.
- 3 Hours EM version.
- 220lm OP EM mode



## Wentworth

The Wentworth antique style lantern brings together the best of both worlds, providing period charm and character with the latest in lamp technology.

The large hexagonal Victorian style lantern is manufactured from Brass or Copper. featuring period design and large attractive finial, the luminaires are lacquered finished to help prevent tarnishing. The lenses are provided in frosted, shatterproof polycarbonate.

The Wentworth also offers a die-cast aluminium mounting arm with sconce.

## Grand

Elegantly designed with rustic mounting arm and bevelled polycarbonate lens the range is not only attractive but extremely robust. The vandal resistant polycarbonate casing is available in black or white; the UV stable "colour fast" polycarbonate won't suffer from chipping or paint peel. A hand brushed Verdi finish is also available.

## Wentworth

Description	12 LED	12 LED + PC
Brass	CLW/ZFLED12	CLW/ZFLED12C
Copper	CLW/ELED12	CLW/ELED12C
Antique Brass	CLW/ALED12	CLW/ALED12C



Mounting Arm	Code
Black	CLW/BA1

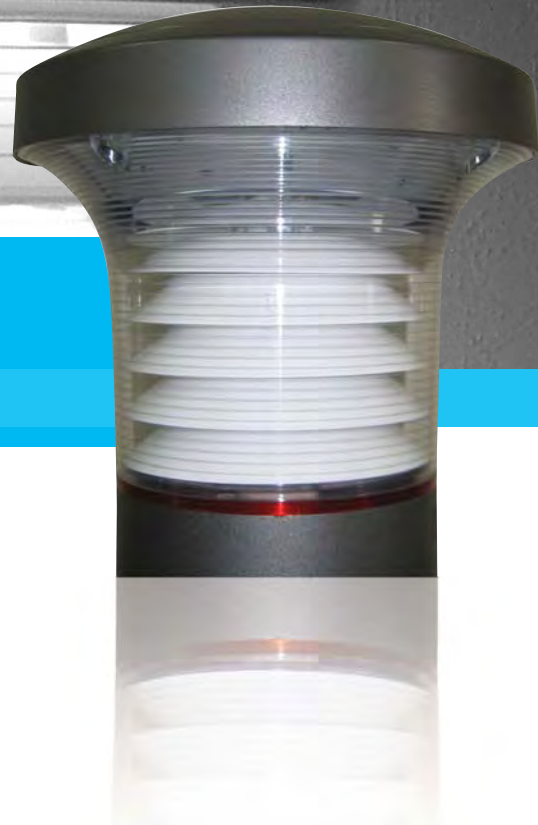
## Grande Victorian

Description	9 LED	9 LED + PC
Black	GCU/BKLED9	GCU/BKLEDC
White	GCU/WKLED9	GCU/WKLED9C
Verdi	GCU/VKLED9	GCU/VKLED9C

## Grande Georgian

Description	9 LED	9 LED + PC
Black	GCD/BKLED9	GCD/BKLEDC
White	GCD/WKLED9	GCD/WKLED9C
Verdi	GCD/VKLED9	GCD/VKLED9C

# litehouse



The ASD LiteHouse bollard provides a stylish, robust and efficient unit for illuminating pedestrian areas, pathways & car parks defining routes and edges within designated areas. Provided as either surface or root mounted, this unique stylish range has been designed to provide superior light output with minimal up-light.

The LiteHouse range offers a comprehensive range of operating options and lamp variants and is provided with either high impact PVC or extruded aluminium column and vandal resistant, shatterproof polycarbonate head and lens.

The LiteHouse has an additional optional halo feature, allowing designers to highlight areas such as car parking bays or define exit/ transit routes for traffic or pedestrians.

- Maximises downward light.
- Minimises upward light.
- Bollard column available in high impact PVC or extruded aluminium.
- Diffuser available in Opal and Fresnel Prismatic.
- Root mounted and surface mounted versions.
- Adjustable Ground Trim / Kick Plate (optional extra). Order code: LHT/B.
- Root Mount First Fix Kit order code: LHF/1.

## Specifications

LED's OSRAM Golden Dragon Plus

- Ultra white 5700-6500k CRI 70
- Maintenance free operation fit and forget for life of the product.
- 50k hrs = 16.5yrs life @ 3000 hrs L70/B50 per year.
- Energy efficient.
- Instant light.
- Unlimited switching.
- No UV.
- Achieving 4.08M spacing between fittings with minimum 10 Lux.
- 100-265V 0/50/60Hz.
- 3 Hours EM version.
- 220lm OP EM mode



## Surface Mounted

Description	PVC LED9	ALUMINIUM LED9
Opal	LHS/B1PLED9W	LHS/B1ALLED9W
Fresnel	LHS/B1PFLED9W	LHS/B1AFLED9W

## Root Mounted

Description	PVC LED9	ALUMINIUM LED9
Opal	LHR/B1PLED9W	LHR/B1ALLED9W
Fresnel	LHR/B1PFLED9W	LHR/B1AFLED9W

## Surface Mounted Emergency

Description	PVC LED9 EM	ALUMINIUM LED9 EM
Opal	LHS/B1PLED9WEM	LHS/B1ALLED9WEM
Fresnel	LHS/B1PFLED9WEM	LHS/B1AFLED9WEM

## Root Mounted

Description	PVC LED9 EM	ALUMINIUM LED9 EM
Opal	LHR/B1PLED9WEM	LHR/B1ALLED9WEM
Fresnel	LHR/B1PFLED9WEM	LHR/B1AFLED9WEM

# stealth



## Specifications

LED's OSRAM Golden Dragon Plus

- Ultra white 5700-6500k CRI 70.
- Life 50,000 hours to L70/B50 (5 x the life of fluorescent lighting).
- Maintenance free operation fit and forget for life of the product.
- 50k hrs = 16.5yrs life @ 3000 hrs per year.
- Energy efficient.
- Instant light.
- Unlimited switching.
- No UV.
- Mounting height of 5M gives 14M spacing, achieving 10 Lux between fittings.
- 100-265V~50/60Hz.
- 440 lm OP EM mode.



The Stealth range of high performance exterior lighting is designed to embrace the campaign for dark skies by providing the unique performance of 6% ULOR without compromising the astounding 72% DLOR.

The robust High Pressure Die cast LM6 aluminium base provides the Stealth with corrosion resistance, excellent surface finishing and dissipates heat to maximise the life of both lamp and control gear.

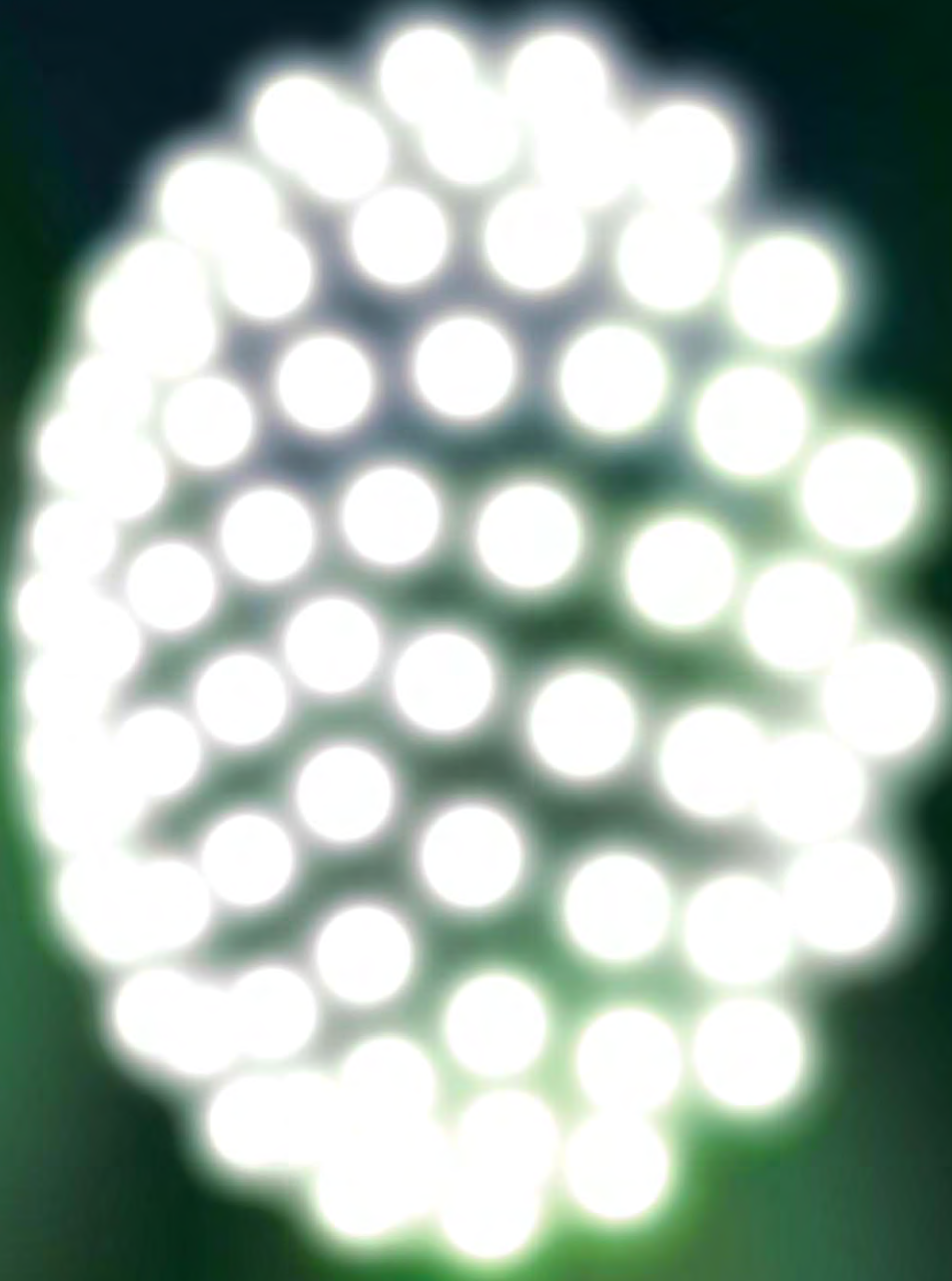
It's rigid design and construction ensures the Stealth's IP65 rating and level of vandal resistance. The Stealth's design allows for quick and simple installation; cable entries include rear BESA box and side conduit locations.

A precisely moulded tough Polycarbonate refractor utilises proven optical technology to control and direct the maximum amount of light downwards, forwards and sideways. The Stealth provides superior technical performance which has been created by a fusion of the following design elements.

- **Unique minimum uplight reflector.**
- **Hi-tech designed fresnel lens.**
- **Only 6% ULOR.**
- **72% DLOR.**
- **Fresnel lens: for enhanced performance.**
- **Entries: Side and rear BESA.**
- **Sealed to IP65.**
- **Lens retention cable.**
- **Photocell version.**
- **Emergency versions.**
- **Night light versions**

Description	LED24	LED24 EM	LED24 PC
Black	SE2/BLED24	SE2/BLED24M	SE2/BLED24C
White	SE2/WLED24	SE2/WLED24M	SE2/WLED24C
Titanium	SE2/XLED24	SE2/XLED24M	SE2/XLED24C

Add suffix 'C' for photocell version. Add suffix 'M' for emergency version.



LIGHTING

ASD Lighting plc

Mangham Road, Barbot Hall Industrial Estate, Rotherham S61 4RJ

Tel: +44 (0) 1709 374898 Fax: +44 (0) 1709 830533

e-mail: [sales@asdlighting.co.uk](mailto:sales@asdlighting.co.uk) Web: [www.asdlighting.com](http://www.asdlighting.com)



ASD reserve the right to change or alter any products without prior notification. All goods supplied are subject to the company's General Conditions of Sale.